

## Safety

- Do not cover the ground contact.
- Do not cover the luminaire, hang or fasten anything from it.
- Do not operate if any visible damage can be seen to the product.
- Do not operate if any water ingress has occurred.
- Do not operate if any smoke, steam or crackling noises can be heard from the luminaire.
- Do not operate if any signs of overheating are recognised.
- Avoid installation in any areas where there is a risk of strong mechanical loads.
- Do not place any material over the lens or LED diode/chip.
- Do not insert objects into the luminaire.
- Do not clean using any solvent based abrasive or aggressive product.
- Do not pull any cables connected to the product.
- Do not direct the luminaire into a persons eyes, as this unit may have an intense light output, which if incorrectly used may cause eye damage.
- Light engines/LED'S and other light sources may heat up, please take care when handling the products.
- The manufacturer will not be deemed liable or held responsible for any damages caused by faults or manufacturing defects that may be present in any of its products or the misuse or incorrect installation of this device. Please refer to our trouble shooting guide for further information.
- The manufacturer will not be held liable for any death(s) or injuries caused by misuse or poor installation or any unreported faults of this product version or versions thereof.
- LED's are sensitive to electrostatic discharge. Do not touch the surface of the LED module.
- Do not connect to a temporary electricity supply, this may damage the electronics.
- Light fittings with an integrated emergency option are with a separate installation and wiring leaflet. Please refer to this manual for further details. If the manual is unavailable please contact an ALL LED representative for assistance.
- It is strongly recommended that a Residual-Current Device (RCD) is used with this product to minimise the risk of electrocution.
- REPLACE DAMAGED PRODUCT IMMEDIATELY.
- Keep away from children.

## Returns & Faulty Items

- If any problem is encountered during or after installation, please call ALL LED technical department to get the problem resolved ASAP.
- Please do not just return the item to the outlet you purchased it from, as you are only entitled to a replacement or refund after the unit has undergone testing and the unit has been confirmed as having a manufacturing defect/fault. Your statutory rights are not affected.
- The manufacturer will not be deemed liable or held responsible for any damages caused by faults or manufacturing defects that may be present in any of its products or the misuse or incorrect installation of this device. Please refer to our trouble shooting guide for further information.
- All installations must be carried out in accordance with this installation guide and user manual.
- All goods are supplied under the terms and conditions of ALL LED LTD, a copy of which may be obtained upon written request.



**Environmental Protection**  
Waste electrical products should not be disposed of with household waste. Please recycle where facilities exist. Check with your Local Authority or retailer for recycling advice.

This product supplied with a limited guarantee, subject to terms and conditions. The manufacturer will not be deemed liable or held responsible for any damages caused by faults or manufacturing defects that may be present in any of its products or the misuse or incorrect installation of this device. Your statutory rights are not affected.

**ALL LED LTD**  
42 Sedgwick Road,  
Luton,  
LU4 9DT  
[www.allledgroup.com](http://www.allledgroup.com)  
[sales@allledgroup.com](mailto:sales@allledgroup.com)  
Tel: +44 (0)208 841 9000



## INSTALLATION GUIDE ASCDIM-DMX



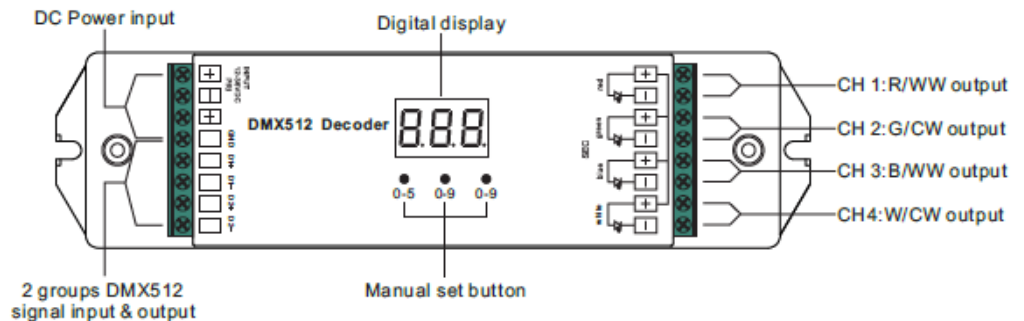
**ENSURE POWER SUPPLY IS OFF WHEN HANDLING ANY ELECTRICAL EQUIPMENT.**

- This product may need to be installed by a qualified electrical installer.
- Please read this guide in its entirety to fully understand the products before attempting any install.
- All electrical work should be completed in accordance with the latest IET regulations, and/or any other relevant rules, regulations or laws of the country in which it is being installed.
- The item must be installed in isolation from any insulating material and is adequately ventilated to prevent premature failure.
- Ensure power supply is isolated prior to installation, maintenance or performing any other form of electrical work.
- In the event of incorrect or improper function with specific regard to any of ALL LED's products contact ALL LED for further advice.

### SAFETY WARNING

- DO NOT install with power applied to device.
- DO NOT expose the device to moisture.

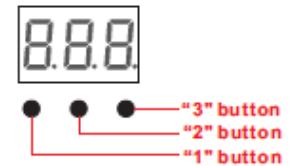
## Function Introduction



- Standard DMX512 compliant control interface, enable to set the DMX address freely. And show address Via digital numeric display.
- Two types available (Constant Voltage, Constant Current), suitable for different LED lamps.
- To work with a power repeater to expand output power unlimitedly.
- Waterproof grade: IP20

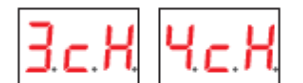
### Set DMX address

Press and hold down 1st button for 2 seconds, digital display flashes to set the required DMX address. Click button 1 is to set "hundreds" position, 2 to set "tens" position, 3 to set "units" position. then press and hold down any button for >2 seconds to confirm.



### Choose Channel

Press and hold down 2nd and 3rd buttons simultaneously for 2 seconds, cH digital display flashes, then click 1st button to choose 1/2/3/4, 3 means total 3 channels, 4 means a total of 4 channels. Press and hold down any button for >2 seconds to confirm the 1,2,3 or 4 channels. The factory pre-set default is 4 channels outputs.



**NOTE:**

For example, when we set the address to 001  
When select 1cH, all four channels will be the same address 001.  
When select 2cH, channel one and channel three will be the same address 001, channel two and channel four will be 002.  
When select 3cH, channels 1,2,3 will be addressed 001,002,003, and channel 4 address is also 001  
When select 4cH, channel 1, 2, 3,4 will be address 001, 002,003,004..

**Set DMX address**

Press and hold down 1st button for 2 seconds, digital display flashes to set the required DMX address, then press and hold down any button for >2 seconds to confirm.



**Choose PWM frequency**

Press and hold down 1st and 3rd buttons simultaneously for 2 seconds, digital display flashes to show P-c.  
P means PWM frequency, click the 1st button to show, "1" means 1500Hz, "2" means 200Hz.  
c means dimming options, click the 3rd button to show, "1" means logarithmic dimming, "2" means linear dimming.  
Press and hold down any button for >2 seconds to confirm the setting.  
The factory pre-set default is PWM frequency 1500Hz with linear dimming. 1-2

**Trouble Shooting Guide**

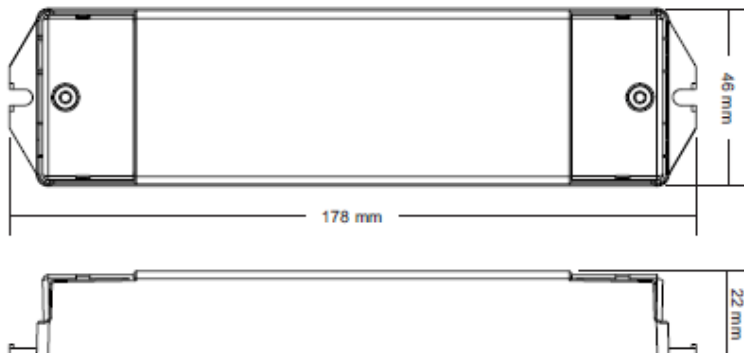
Short circuit, overload protection  
When the display shows er0, the decoder is protected from short circuit or overload.



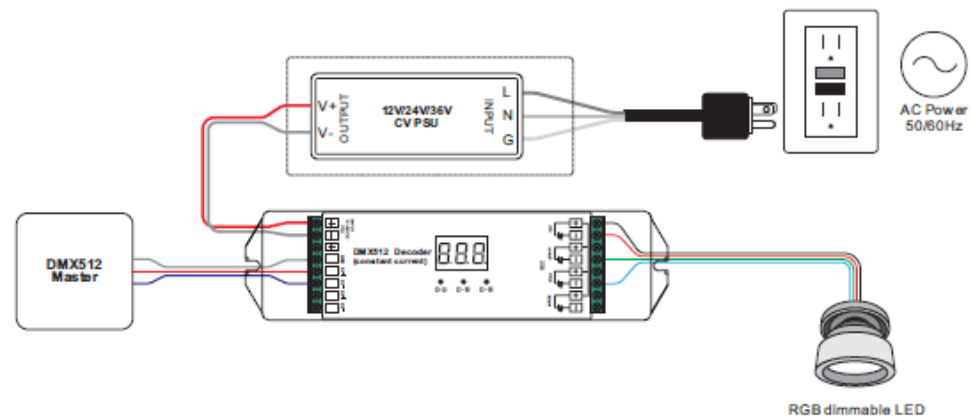
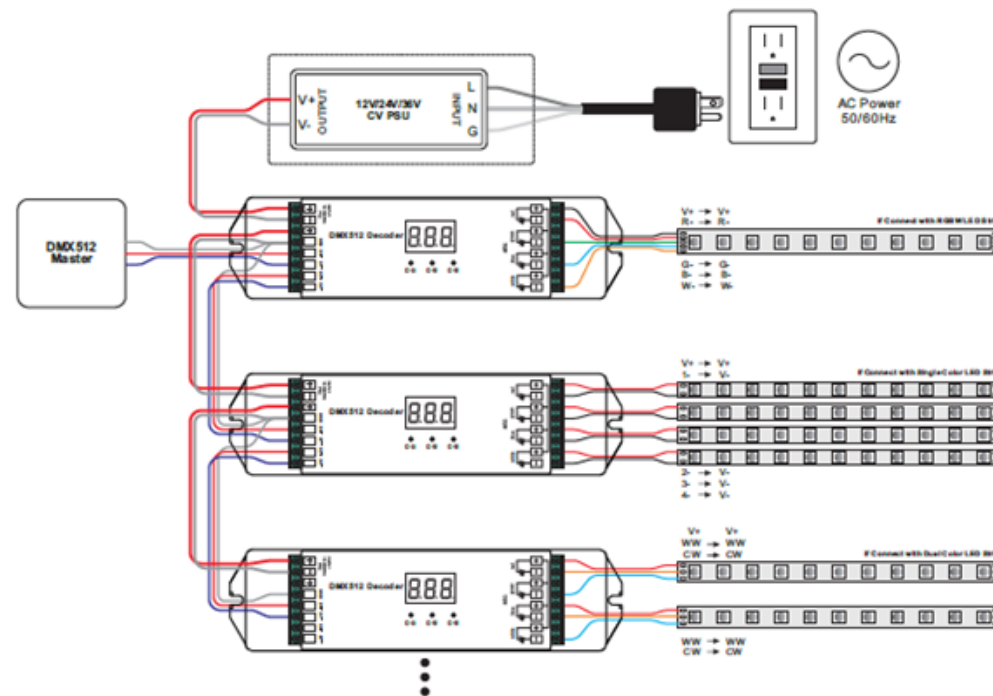
Power off and power on the decoder to recover from short circuit protection.

Reduce the load to the rated range, then power off and power on the decoder to recover from overload protection.

**Product Dimensions**



**Wiring diagram**



**ATTENTION**

IF ANY PROBLEMS PERSIST, PLEASE CALL THE ALL LED TECHNICAL DEPARTMENT FOR FURTHER ASSISTANCE.